

Guide to Ordering SWM7000 Wireless Products

Our 2.4 GHz Wireless Systems can be ordered either as systems or as components. Systems are always made of components, and to make life a bit easier we offer a selection of systems that represent the most common selections of components. There are way too many possible combinations of receivers, transmitters, and microphones for us to offer a part number for each combination.

Ordering as Components

Your Sabine price list gives a description and image of all the available components, so please refer to that when ordering. Follow these easy steps for best results when ordering. Please note there is no price penalty for ordering components rather than systems.

1. Match your needs to the list of SWM7000 components, and start with the type of mics you need.
2. For **handhelds** we offer three types: the dynamic SW70-H13 and SW70-H15; or the condenser SW70-H19. We offer systems for all three mics, so you may order as systems or components.
3. For **lavaliers** we offer three types: the cardioid SWT31L-TA4 (standard when ordering lavalier systems), the omni SVTVT50-TA4, and the SVT40L-TA4 (both from Voice Technologies). If you need either of the VT mics, then you must order as components.
4. For **headworns** we offer five types: the cardioid SWT73W-TA4 (standard when ordering headworn systems); the omni SVT70BW & SVT70LW-TA4, the cardioid SVT80BW & SVT81LW-TA4, all from Voice Technologies; and the cardioid SWT56W-TA4. If you need anything other than the standard headworn, order as components.
5. Don't forget - lavaliers and headworns require the SW70-T **beltpack transmitter**.
6. Now choose your **receivers** -- we offer three. Standard receivers are the SW71-R and SW72-R. For the advantages of networking and a digital output, choose the SW72-NDR.

Ordering as Systems

1. When ordering systems you can easily see by the model number what is included in the system, as shown below. And the price list gives you the pictures, too!
2. If you don't find a system part number that fits your needs, then just go for the components.

Anatomy of a System part number:

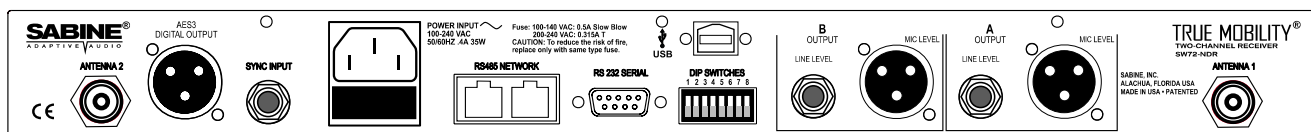
Product family Included Mic(s) Voltage B-stock

SWM7219-NDH-U-M1-B

Series Receiver Channels System Type Frequency

This SWM7000 Series system includes a 2-channel ND receiver, two SW70-H19 handheld mics, comes in the USA voltage, M1 frequency (2.4 GHz), and is a B-stock item.

SW72-NDR Receiver Back Panel



Sabine, Inc.

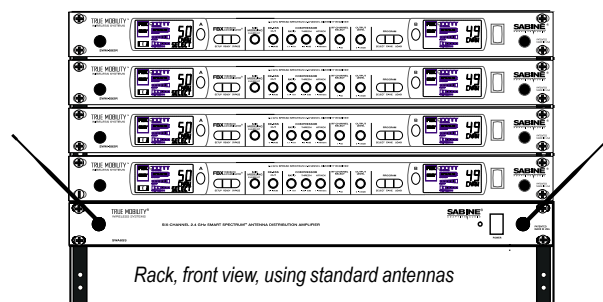
13301 Highway 441 • Alachua, Florida 32615-8544 USA
 +386-418-2000 • Fax +386-418-2001

800-626-7394
 www.Sabine.com
 Sabine@Sabine.com

SABINE

SWM7000 Sample Setup: Eight Channels

Every wireless mic requires a receiver, a transmitter, and of course a microphone. Sabine offers various versions of these components to suit your application. The illustration at right shows a typical 8-channel receiver setup. In this case all the RF for those 8 channels comes from the front-mounted antennas (included with every receiver) on the antenna distribution amp. RF connections to all the receivers are done on the back panels. See the example below for a look at that.



When designing your systems, you should look to maintain line-of-sight between the transmitters and the antennas. Antennas can be mounted either on the front or the back of your receivers and antenna distribution amps. If the receivers are hidden away from the transmitters, then you should call for extension antennas, which can be mounted discreetly so the transmitters “see” them. Cabling back to the receiver or distribution amp is crucial. Sabine offers 15 and 30 foot cables. If you need longer cables you will need a low-loss cable -- our operating guides have tables of recommended cables per length required.

Sample Setup:

Eight channels, all from one pair of antennas, with computer control of all system parameters in addition to the front panel controls. Audio connections are not shown.

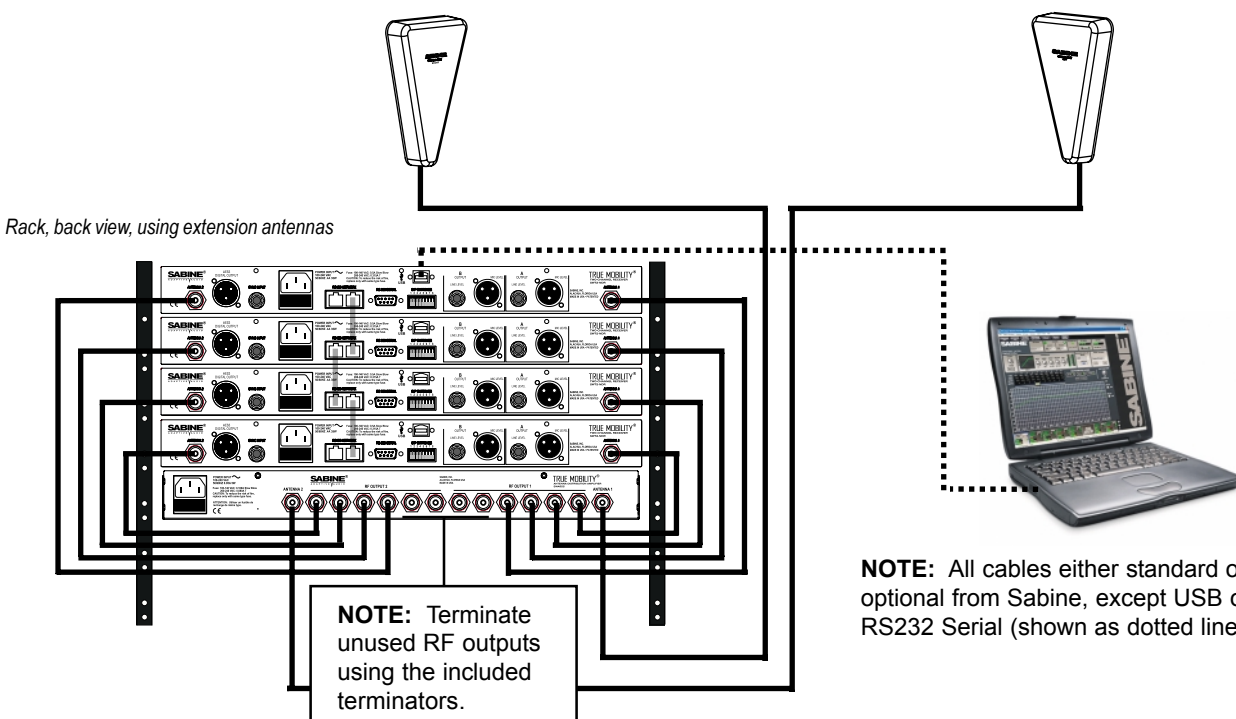
Four SW72-NDR 2-channel Receivers: These will handle a total of 8 transmitters. The short cables connecting the network (shown as light gray) are provided with each NDR receiver. The USB or RS232 cable for connecting your computer is not provided.

Eight Transmitters: These can be any combination of SW70-Series handheld or belt-pack transmitters. If you use belt-packs be sure to include microphones in your component orders. We offer several lavalier and headworn mics. Or include a SWT70G instrument cable for your guitars.

One SWA6SS Antenna Distribution Amp: This can distribute RF to up to 6 receivers or 12 channels.

RF Cables: The short runs between the receivers and distribution amp are included with the distribution amp. The longer runs are Sabine’s SWACA30 or 15-TNC RF cables; these connect to the extension antennas.

One SWAEXT Extension Antenna Set: These come in pairs, and are marked for use as either Stage Right or Stage Left. They can be either wall or mic-stand mounted.



NOTE: All cables either standard or optional from Sabine, except USB or RS232 Serial (shown as dotted line).